

CHRYSLER



2007 CHRYSLER ASPEN - GUILT-FREE INDULGENCE

See how Chrysler Aspen blends performance and personality

- Features
- Conveniences
- Color Options
- Models

For more information, please visit www.chrysler.com/aspden

©1995-2006 DaimlerChrysler. All Rights Reserved.
For important information, go to www.chrysler.com/universal/privacy.html



2007 ASPEN EFFICIENT POWER

Sure, you've got an available 5.7-liter HEMI® V8 with 335horsepower and 370 lb-ft of torque under the hood. But you also have the fuel efficiency* of a much smaller and less powerful engine thanks to the advanced Multiple-Displacement System* (MDS) that automatically shifts from eight cylinders to four when cruising for improved mileage and driving range.

* 14 city/20 highway EPA est. MPG. Results depend on driving habits and conditions.
HEMI is a registered trademark of DaimlerChrysler Corporation.



BEST-IN-CLASS* TOWING

HEMI®-powered two-wheel-drive Aspen models can tow a best-in-class* 8,950 pounds; HEMI®- powered four-wheel-drive models can pull 8,750 pounds. So much for packing light.

* Based on 2006 Automotive News classification. When properly equipped.
HEMI is a registered trademark of DaimlerChrysler Corporation.



POWER LIFTGATE

Aspen's available power liftgate opens and closes at the touch of a button found on both the key fob and the overhead console for effortless access to the best-in-class* cargo room behind the second row of seats. To ensure safety, obstruction sensors automatically reverse direction if an object or person impedes closing or opening

*Based on 2006 Automotive News classification.



ENGINES

Satisfy your desire for sheer, unbridled power with the available 5.7-liter HEMI® V8 that delivers a formidable best-in-class* 335 horsepower and 370 lb-ft of torque. Second in command is the 235-horsepower 4.7-liter Magnum® V8 engine with available flexible-fuel capability† that can run on E85—a blend of 85 percent ethanol and 15 percent gasoline—for an improved reduction in greenhouse gas emissions without sacrificing horsepower or torque.

* Based on 2006 Automotive News classification. When properly equipped.
† 4.7-liter flex-fuel Magnum V8 not available in CA, ME, MA, NY, and VT. 4.7-liter gasoline V8 will be substituted in these states.
HEMI is a registered trademark of DaimlerChrysler Corporation
Contact your authorized Chrysler, Dodge, or Jeep dealer to verify your vehicles flex fuel (FFV) compatibility.

For more information, please visit www.chrysler.com/aspden



SEATING AND STORAGE

Aspen's lavish and roomy cabin features comfortable seating for up to eight passengers in your choice of premium cloth with new YES Essentials® stain- and odor-resistant seat fabric* or luxurious leather trimmed first and second row seats. When your luggage outnumbered your passengers, Aspen makes cargo storage a breeze thanks to 40/20/40-split fold and tumble second-row seats, and 60/40-split folding third-row seating that opens up a best-in-class† 152.6 cubic feet of interior room.

* Not compatible with aftermarket fabric-protecting coatings.

† Based on 2006 Automotive News classification. When properly equipped.

YES Essentials is a registered trademark of Milliken & Company.



YES ESSENTIALS® FABRIC

Available YES Essentials® stain-, odor-, and static-resistant seat fabric* helps keep seats fresh and clean longer than ever before. This advanced fabric withstands spot cleaning—even repeatedly in the same location—to maintain like-new color and texture over time.

* Not compatible with aftermarket fabric-protecting coatings.
YES Essentials is a registered trademark of Milliken & Company



AIR BAG* PROTECTION

Because safety is no accident, your Chrysler Aspen comes with standard advanced multi-stage driver and front-passenger air bags*, as well as supplemental side-curtain air bags* that cover all three rows of seats.

*Always sit properly in the seat with the seat belt fastened.



ELECTRONIC STABILITY PROGRAM* (ESP)

The standard electronic stability program* (ESP) with electronic roll mitigation* (ERM) helps you maintain vehicle directional stability with selective braking and engine control. Combined with standard traction control, ESP helps maintain control by applying the brakes—and in some cases closing the throttle—to minimize wheel spin during acceleration. Electronic Roll Mitigation (ERM)* is designed to help maintain vehicle stability during emergency or accident-avoidance maneuvers by applying appropriate braking force.

*Always drive carefully, consistent with conditions. Always wear your seat belt and obey traffic laws.

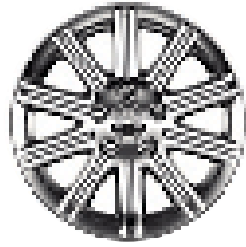


REMOTE START SYSTEM

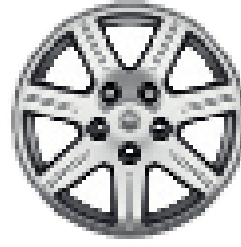
Aspen's available remote start system* lets you start your vehicle from up to 300 feet away; it operates seamlessly with Chrysler Aspen's onboard electronic system for reliable remote starting when and where you need it. The multifunction key fob also opens and closes the power liftgate, locks and unlocks the doors, and even rolls the windows up and down for the ultimate in hands-free luxury.

* Check state and local laws on use of remote starters.

For more information, please visit www.chrysler.com/aspenn



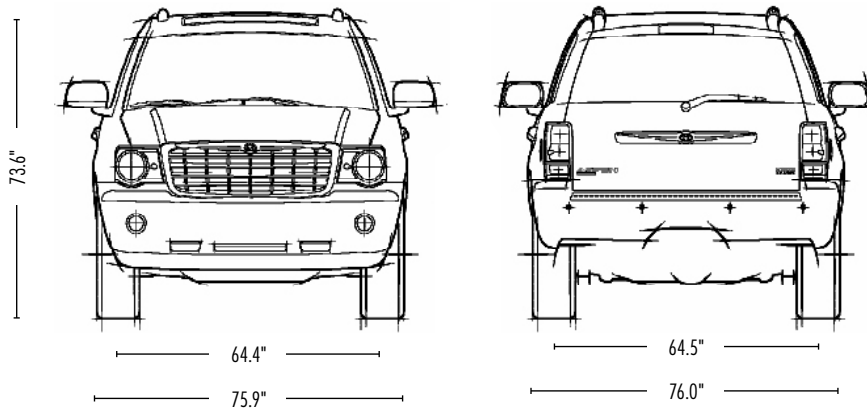
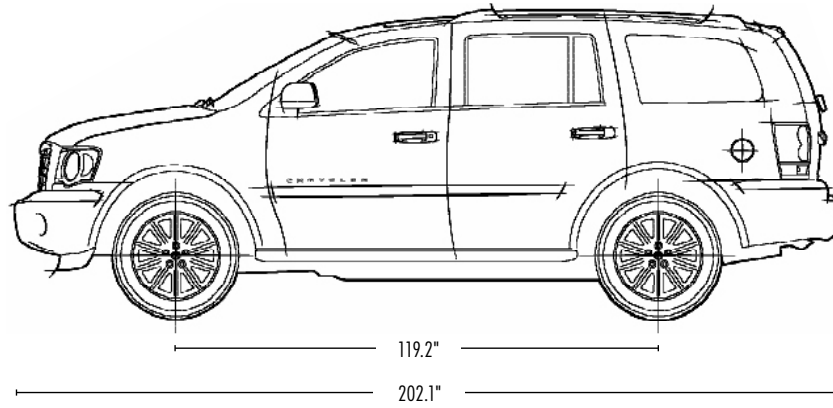
A
20-inch chrome-clad
cast-aluminum wheel



B
18-inch
cast-aluminum wheel

	A	B
Aspen Limited J Package	S	
Aspen Limited E Package		S

S = Standard.



For more information, please visit www.chrysler.com/aspden

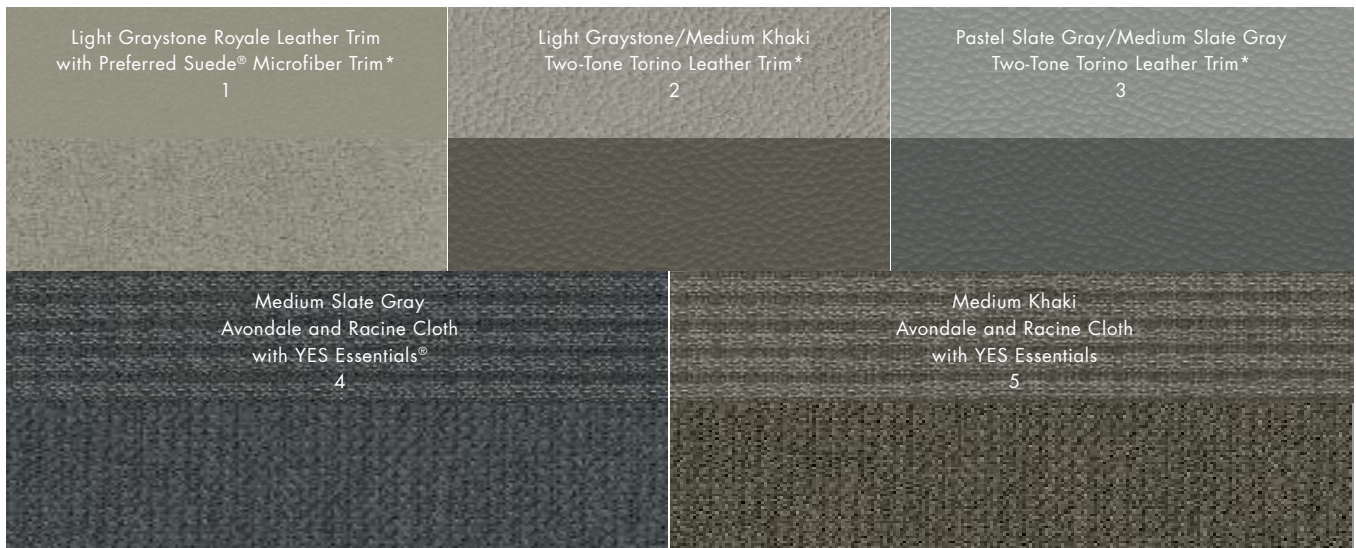


EXTERIOR COLORS

	Brilliant Black Crystal Pearl	Cool Vanilla	Cognac Crystal Pearl	Bright Silver Metallic	Light Khaki Metallic	Marine Blue Pearl	Mineral Gray Metallic	Steel Blue Metallic
Limited "J" Package	1	1	1	1	1	1	1	1
Limited "E" Package	2,3,4,5	2,3,4,5	2,5	2,3,4,5	2,5	2,3,4,5	2,3,4,5	2,3,4,5

*First and second rows only.

INTERIOR COLORS



For more information, please visit www.chrysler.com/aspden



	Limited	
ENGINE/TRANSMISSION		
4.7L Flex Fuel V8 ⁽¹⁾ /5-speed automatic	25E	
4.7L SOHC V8/5-speed automatic	26E	
5.7L HEMI [®] V8 with Multi-Displacement System (MDS)/5-speed automatic	28E	28J
MECHANICAL		
Active Turn Signals — 3-blink lane-change signal activated with a single tap	S	S
Alternator — 160-amp	S	S
Axle — Front, 205 mm ⁽²⁾	S	S
Rear — 8.25 ⁽²⁾	S	S
— 9.25 ⁽³⁾	S	S
Axle Ratio — 3.55:1	S	S
— 3.92:1 (requires 5.7L HEMI V8 engine)	0	0
Battery — 750-amp, maintenance-free with run-down protection	S	S
Brakes — 4-wheel disc antilock	S	S
Engine Block Heater	0	0
Remote Start System — Control integrated into key fob	0	0
Steering — Power rack-and-pinion	S	S
Suspension — Heavy-duty, independent front and link coil rear with Watt's linkage	S	S
Throttle — Electronically controlled (included with 5.7L HEMI V8 engine)	P	S
Tip Start — Quick start, prevents double starts, preserves battery, ignition, and gear life	S	S
Transfer Case ⁽²⁾ — Full-time AWD system (requires 4.7L V8 engine)	S	
— Full-time AWD system with low-range (included with 5.7L HEMI V8 engine)	0/P	S
EXTERIOR FEATURES		
Fascias — Front and rear, body-color with chrome insert	S	S
Fog Lamps — Two integrated in front and rear fascia	S	S
Glass — Laminated front and rear door (late availability)	0	S
Headlamps — Automatic (included with Interior Convenience Group)	P	S
License Plate Brow — Chrome	S	S
Liftgate — Power (included with Power Convenience Group)	P ⁽³⁾ /S ⁽²⁾	S
Mirrors — Power black with chrome cap, 6"x9", folding, heated	S	
— Power black with chrome cap, 6"x9", folding, heated with memory and driver's auto-dimming		S
Molding — Chrome	S	S
Running Boards — Black	0	S
Side Rails — Roof-mounted, body-color with stainless steel accents	S	S
Sunroof — Power with one-touch open/close and vent feature (requires Interior Convenience Group)	0	0
Tires — P265/60R18 BSW on-/off-road	S	
— P265/50R20 BSW all-season		S
Wheels — 18"x8" cast-aluminum	S	
— 20"x8" chrome-clad cast-aluminum		S
INTERIOR FEATURES		
Air Conditioning — Manual temperature control	S	
— Manual, rear with heater	S	S
— Automatic dual zone temperature control		S
Cargo Tie Down Loops — Cargo area	S	S
Carpets — Floor and cargo area	S	S
Console — Overhead with HomeLink [®] Universal Transceiver and Electronic Vehicle Information Center (EVIC): compass, temperature, trip odometer, average fuel economy, distance to empty, and elapsed time	S	S
— Rear floor (included with 2nd-row bucket seats)	P	P
— Floor with leather armrest (includes 12V auxiliary power outlet)	S	S

For more information, please visit www.chrysler.com/aspn



	Limited	
INTERIOR FEATURES (CONTINUED)		
Door Trim Panel — Premium, two-tone, with rear door map pockets, Satin Silver door-pull handle, and padded vinyl upper-trim	S	S
Floor Mats — Premium carpet, front with Aspen logo and rear (included with leather-trimmed seats)	P	S
Instrument Cluster — Includes speedometer, tachometer, oil temperature, and fuel gauge with Satin Silver accent rings	S	S
Instrument Panel Bezel — Madrona Burl woodgrain finish	S	S
Lamps — Front and rear aimable LED lamps	S	S
Memory System — Automatically recalls preset positions for driver's seat, radio, temperature controls, driver's exterior mirror, and power adjustable pedals		S
Mirrors — Rearview, day/night	S	
— Rearview, auto-dimming		S
— Rearview, auto-dimming (included with UConnect®)	P	P
Pedals — Non-adjustable	S	
— Power adjustable	O	
— Power adjustable with Memory System		S
Power Accessory — 115V auxiliary power outlet, located on back of center console	S	S
Steering Wheel — Leather-wrapped 4-spoke with integrated speed and audio controls	S	S
Storage — Rear compartment tray	S	S
Sun Visors — Dual with illuminated vanity mirror and slide feature (included with Interior Convenience Group)	S	S
SEATING		
Seats — Premium cloth low-back bucket with YES Essentials® Seat Fabric ⁽⁴⁾	S	
— Leather-trimmed low-back bucket (1st and 2nd rows only)	O	
— Leather-trimmed low-back bucket with Preferred Suede® Microfiber trim (1st and 2nd rows only)		S
— 8-way power driver's	S	
— 8-way power driver's with memory and 4-way power front-passenger		S
— Heated front	O	S
— Heated 2nd-row (requires 2nd-row bucket seats and heated front seats)	O	O
— 40/20/40 fold-and-tumble 2nd-row bench	S	
— 40/20/40 fold-and-tumble 2nd-row bench with reclining (included with leather-trimmed seats)	P	S
— Bucket, 2-passenger 2nd-row (includes rear floor console; requires leather-trimmed seats)	O	O
— Bench, 2-passenger 3rd-row, folds flat into rear cargo area (not available with leather-trimmed seats)	S	
— 60/40 split-bench 3rd-row, folds flat into rear cargo area with one-hand operation (included with leather-trimmed seats)	O/P	S
ENTERTAINMENT SYSTEMS		
Radio — AM/FM radio with single-disc CD player	S	
— AM/FM radio with integrated 6-disc CD changer and MP3 capability	O	S
— AM/FM radio with integrated 6-disc CD changer and MP3 capability, integrated DVD-based GPS Navigation System (requires Alpine Premium Sound System)	O	O
Rear Seat Video™ System — DVD system includes headliner-mounted 7" screen, remote control, 2 wireless headsets, and faceplate audio and video input jacks (requires AM/FM radio with 6-disc CD changer or GPS Navigation System)	O	O
SIRIUS® Satellite Radio	O	S
Speakers — 4 total, one in each door	S	
— Alpine Premium Sound System I with 8 speakers and 276 watts of power	O	
— Alpine Premium Sound System II with 8 speakers plus a subwoofer and 368 watts of power		S
SAFETY AND SECURITY		
Air Bags ⁽⁵⁾ — Advanced multistage driver and front-passenger	S	S
— Supplemental side-curtain with roll-sensing technology for outboard occupants in all seating rows	S	S
Electronic Stability Program ⁽⁶⁾ — Includes Brake Assist, all-speed traction control, Electronic Roll Mitigation (ERM) and Trailer Sway Control (TSC)	S	S
ParkSense® Rear Park Assist System ⁽⁷⁾ — Included with Power Convenience Group	P ⁽³⁾ /S ⁽²⁾	S
Security Alarm — Integrated vehicle alarm system	S	S
Sentry Key® — Antitheft engine immobilizer	S	S
Tire Pressure Monitoring Warning Lamp	S	S
UConnect® Hands-Free Communication System — Includes auto-dimming rearview mirror; requires Interior Convenience Group	O	O

For more information, please visit www.chrysler.com/aspden